

6. Spare parts

Orders for spare parts must be placed with an authorized dealer.

To request any particular spare part, first specify the data related to the machine, found printed on the identification plate, and therefore:

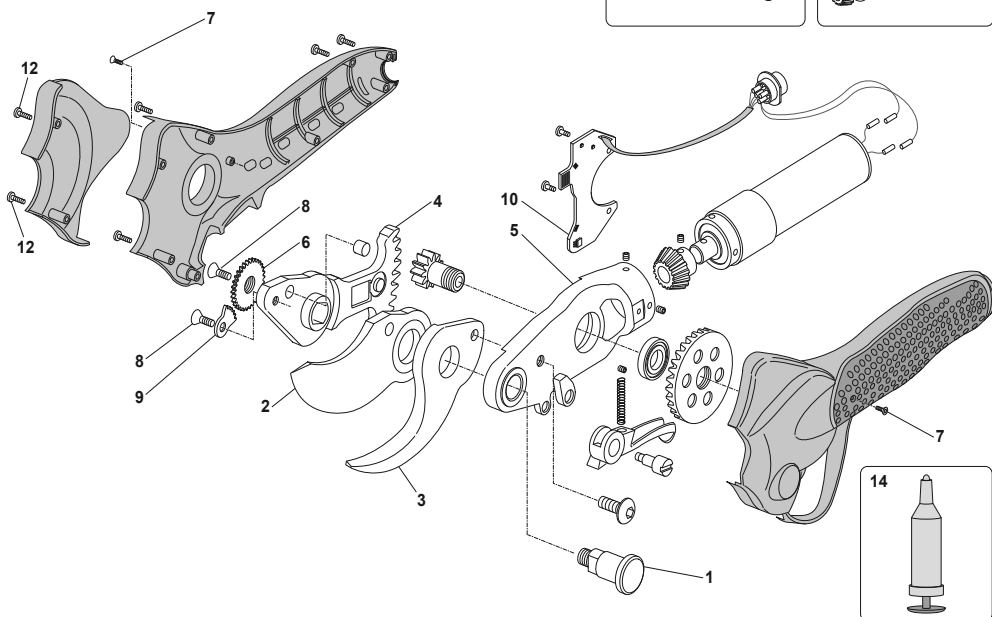
- Machine type.
- Machine model.
- Serial number of the machine.
- Year of construction.

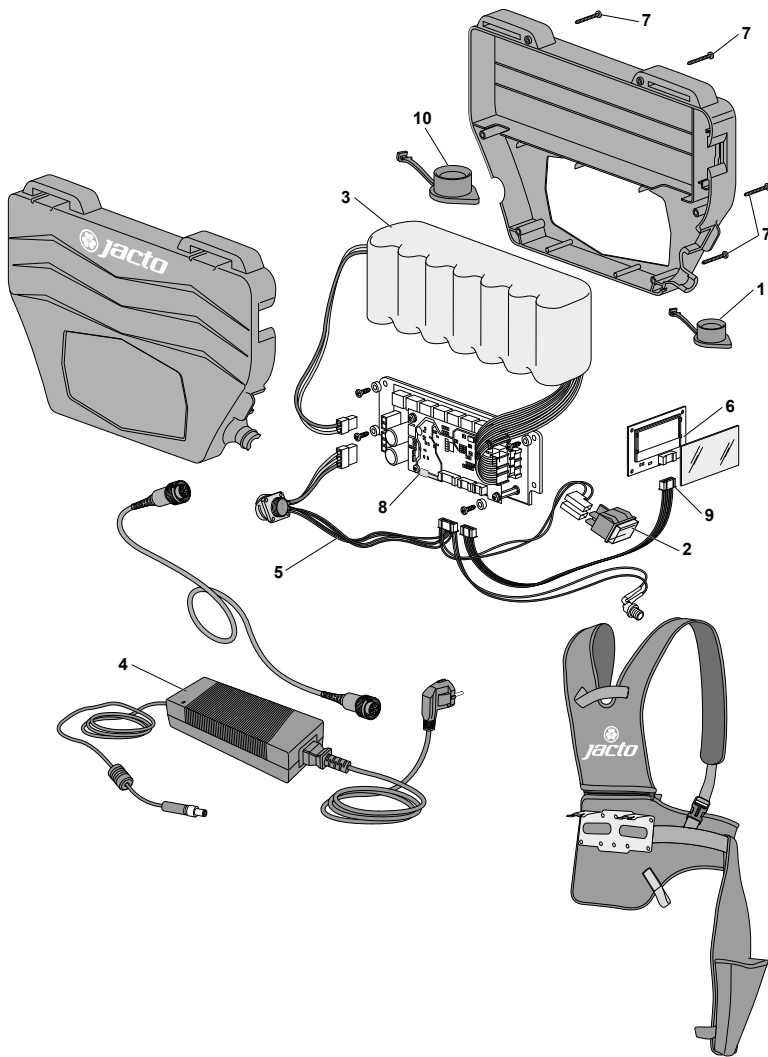
To this, add information regarding the part being requested that is contained in the spare parts table and indicate:

- Part code number.
- Part description.
- Quantity requested.

Finally, specify the required shipping method for the parts.

N°	Code	Description	Qty.
1	1236423	SHEAR BLADE BOLT	1
2	1236425	BLADE L1	1
3	1236426	COUNTER BLADE CL1	1
4	1236428	GEAR RACK	1
5	1236429	ALUMINIUM MECHANIC FRAME	1
6	1236430	BLADE NUT	1
7	1236431	SCREW TSPEI M3X8	2
8	1236433	SCREW TC-IC M4X6	2
9	1236435	NUT LOCK	1
10	1236438	INTERNAL ELETR BOARD W/CABLE & PLUG	1
11	1236440	CONNECTING CABLE	1
12	1236442	SCREW TCBIC D.3X20	2
13	1236445	MOTOR AND GEAR REDUCTOR KIT	1
14	1236446	GREASE SYRINGE	1





Nº	Code	Description	Qty.
1	1236448	BATTERY RUBBER COVER - CHARGER	1
2	1236449	SWITCH	1
3	1236450	LI-ION 5,8AH PACK	1
4	1236452	POWER SUPPLY	1
5	1236454	INTERNAL CABLE W/ CONNECTOR	1
6	1236455	DIGITAL DISPLAY	1
7	1236456	SCREW TC14 D4X25	6
8	1236457	ELETRONIC BOARD W/ BMS & INVERTER	1
9	1236458	DISPLAY CABLE KIT	1
10	1236459	BATTERY RUBBER COVER	1